

# TEKLA BASECAMP

AUG. 27 - 29

2  
0  
1  
9

## What's new in Modeling

Amy Northcutt, P.E.  
Senior Technical Consultant



# 2018-2019 Modeling & UI Updates



Tekla Structures - C:\TeklaStructuresModels\000Engineering\2019\BASECAMP-MODELING - [View 1 - 3d]

STEEL CONCRETE EDIT VIEW DRAWINGS & REPORTS MANAGE ANALYSIS & DESIGN TRIMBLE CONNECT BRIDGES

Column Beam Panel Slab Footing Cast unit Rebar Rebar display options Pour view Pour break Polygon cut Line cut Part cut Fit part end Split Combine Chamfer edge Added material Components Surfaces Compare Measure Copy Copy special Window

Property Pane Basics

Model origin Search in model standard Auto View plane Outline planes

0 5 0 Pan Current phase: 1, Phase 1 1 + 0 objects selected



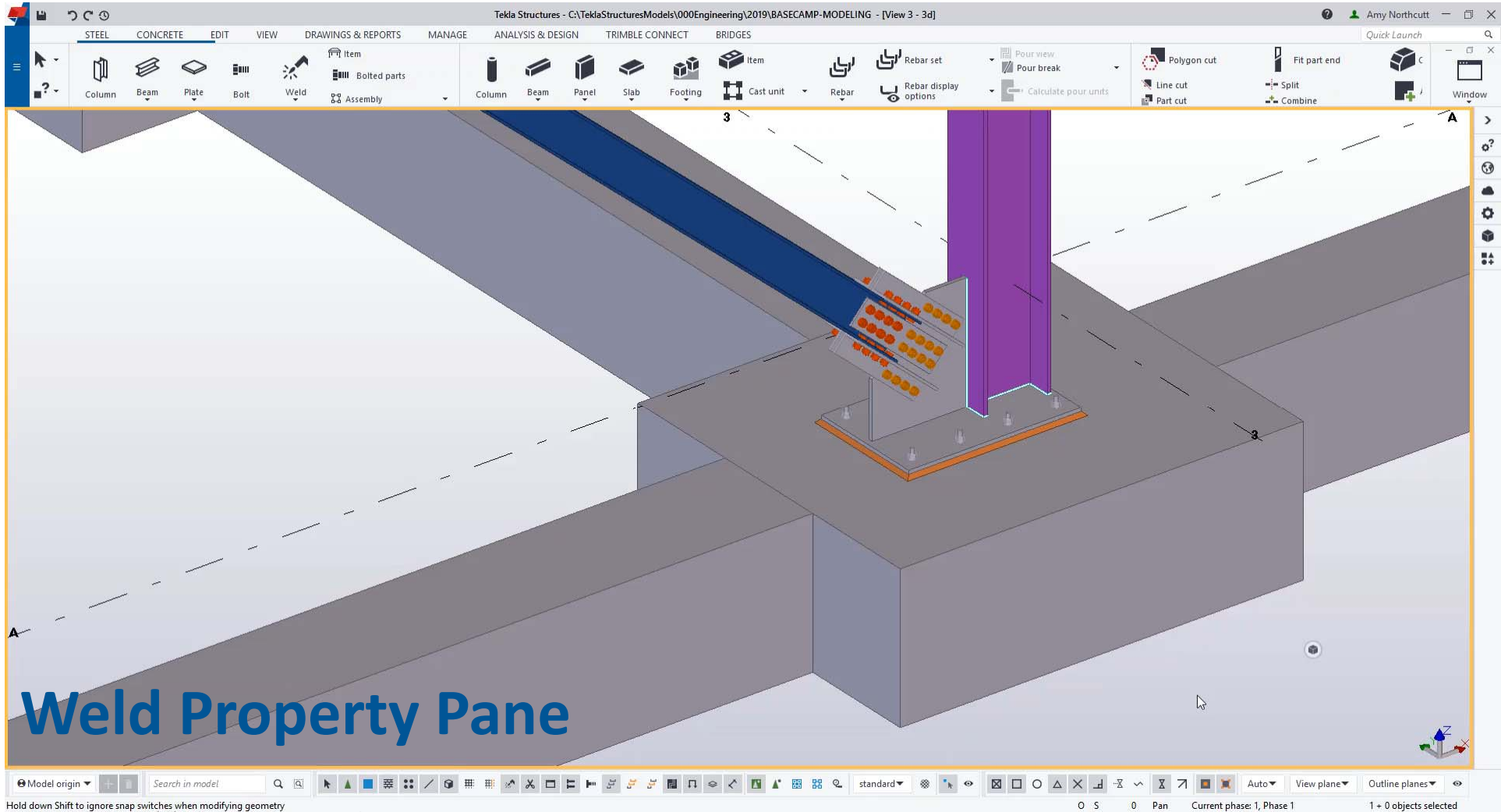
# Property Pane Customization

Adjust position. To finish, press the middle mouse button.

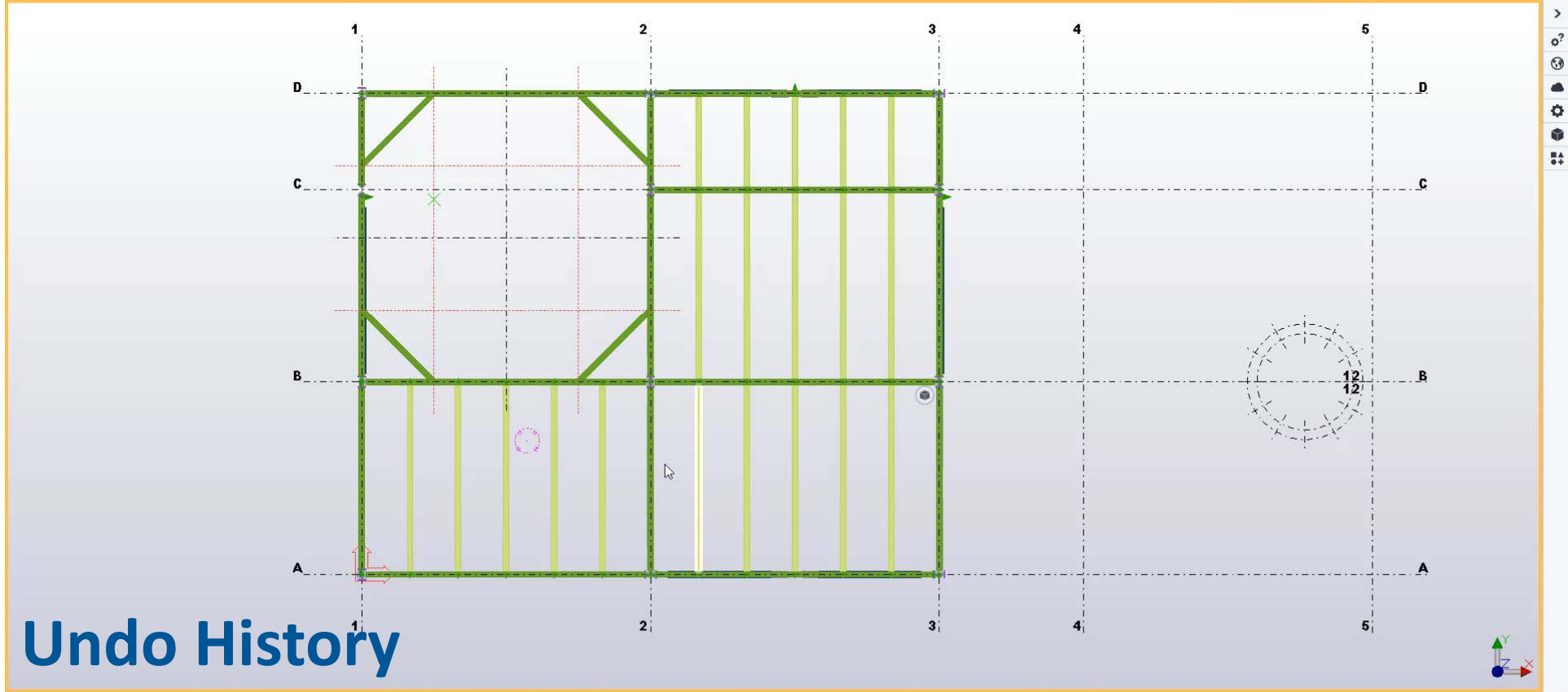
4 12/8/2021

Amy Northcutt, P.E.

0 5 0 Pan Current phase: 1, Phase 1 1 + 0 objects selected



# Weld Property Pane



# Undo History

Tekla Structures - C:\TeklaStructuresModels\000Engineering\2019\BASECAMP-MODELING - [View 3 - 3d]

STEEL CONCRETE EDIT VIEW DRAWINGS & REPORTS MANAGE ANALYSIS & DESIGN TRIMBLE CONNECT BRIDGES

Column Beam Plate Bolt Weld Bolted parts Assembly Column Beam Panel Slab Footing Cast unit Rebar Rebar set Rebar display options Pour view Pour break Polygon cut Line cut Part cut Fit part end Split Combine

**Tekla Online Side Pane**

Model origin Search in model standard Auto View plane Outline planes

7 12/8/2021 Amy Northcutt, P.E. 0 5 0 Pan Current phase: 1, Phase 1 1 + 0 objects selected

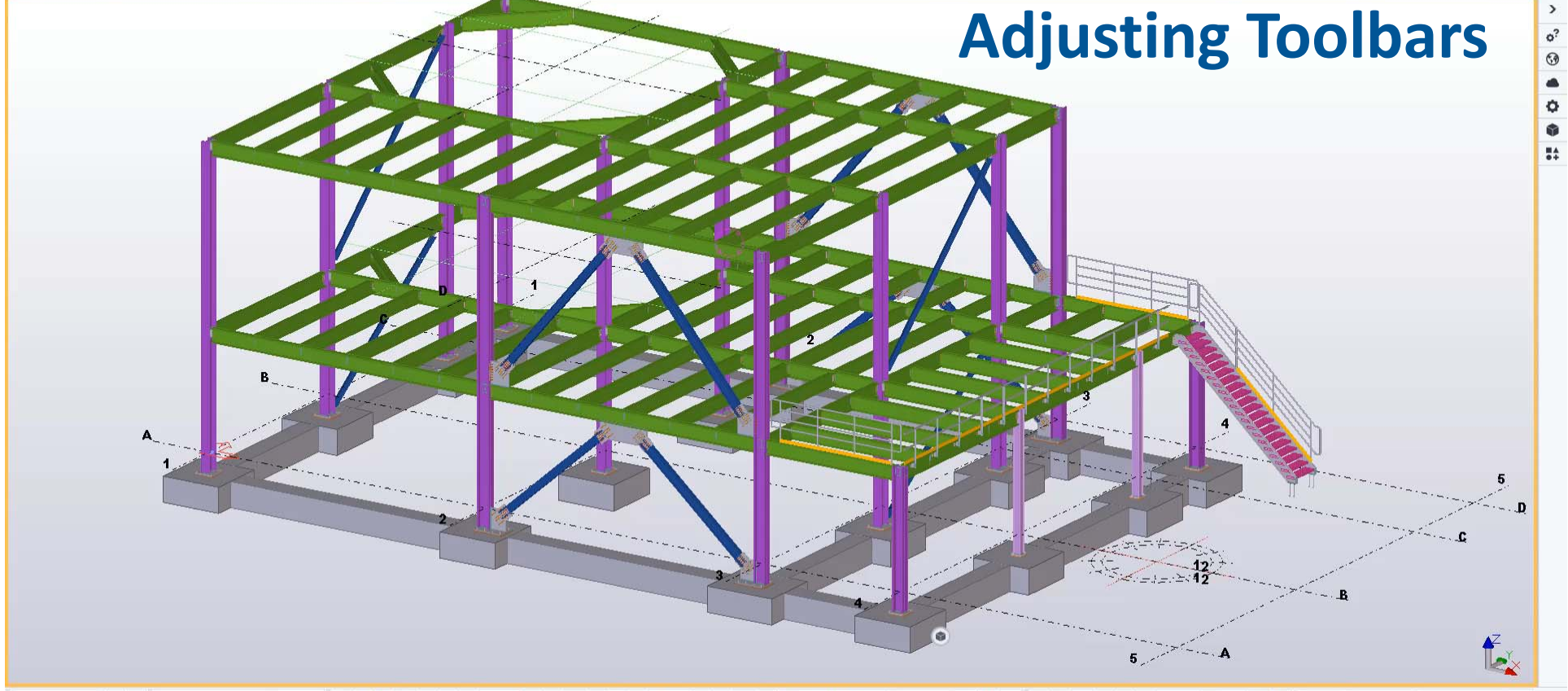
Tekla Structures - C:\TeklaStructuresModels\000Engineering\2019\BASECAMP-MODELING - [View 3 - 3d]

STEEL CONCRETE EDIT VIEW DRAWINGS & REPORTS MANAGE ANALYSIS & DESIGN TRIMBLE CONNECT BRIDGES

Column Beam Plate Bolt Weld Bolted parts Assembly Item Cast unit Rebar Rebar set Rebar display options Pour view Pour break Polygon cut Line cut Part cut Fit part end Split Combine

Quick Launch Window

# Adjusting Toolbars



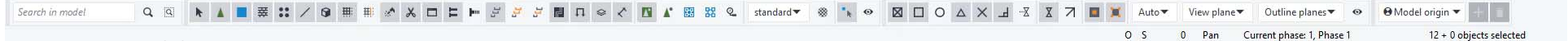
Model origin Search in model standard Auto View plane Outline planes

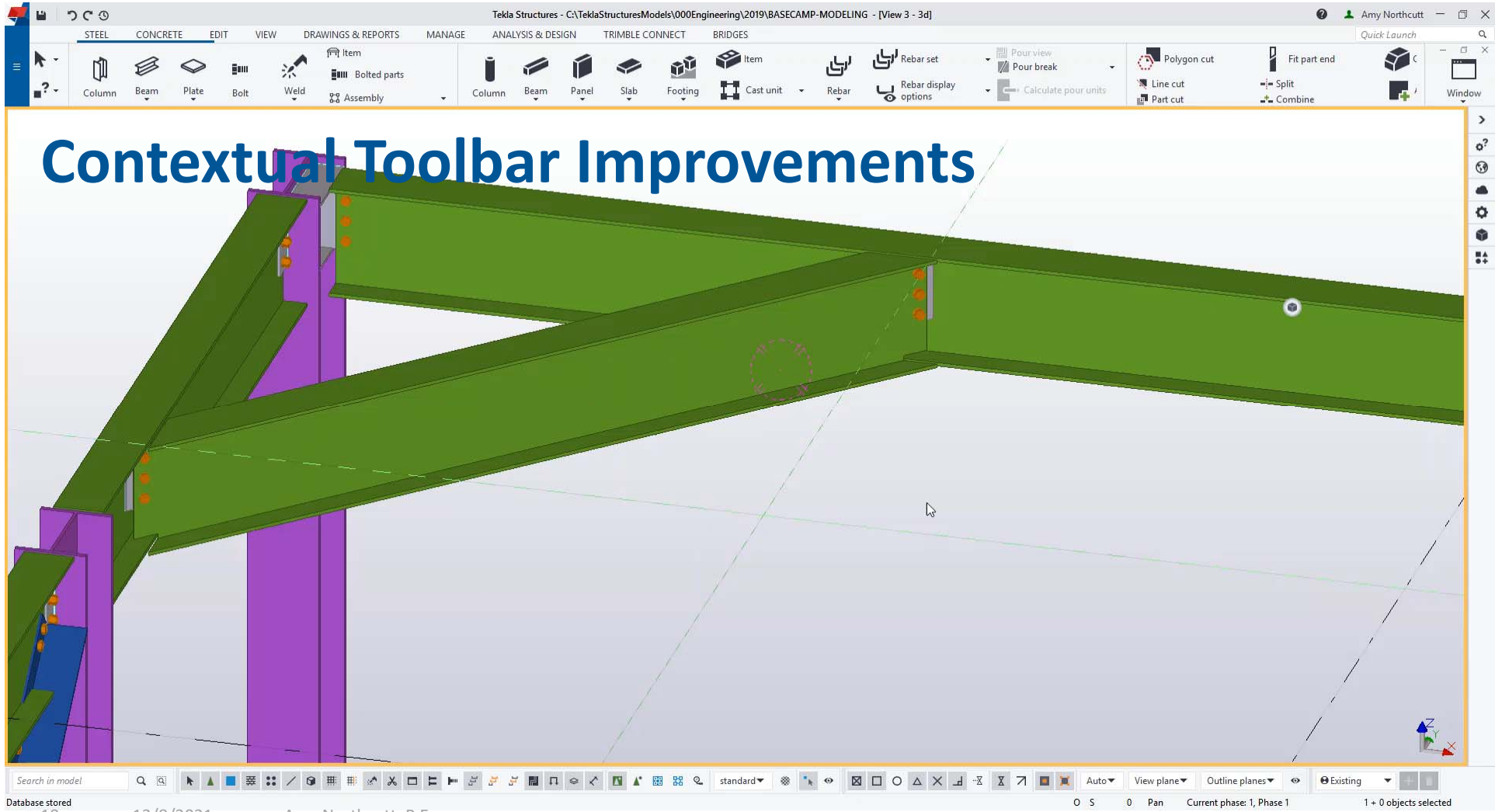
0 5 0 Pan Current phase: 1, Phase 1 1 + 0 objects selected



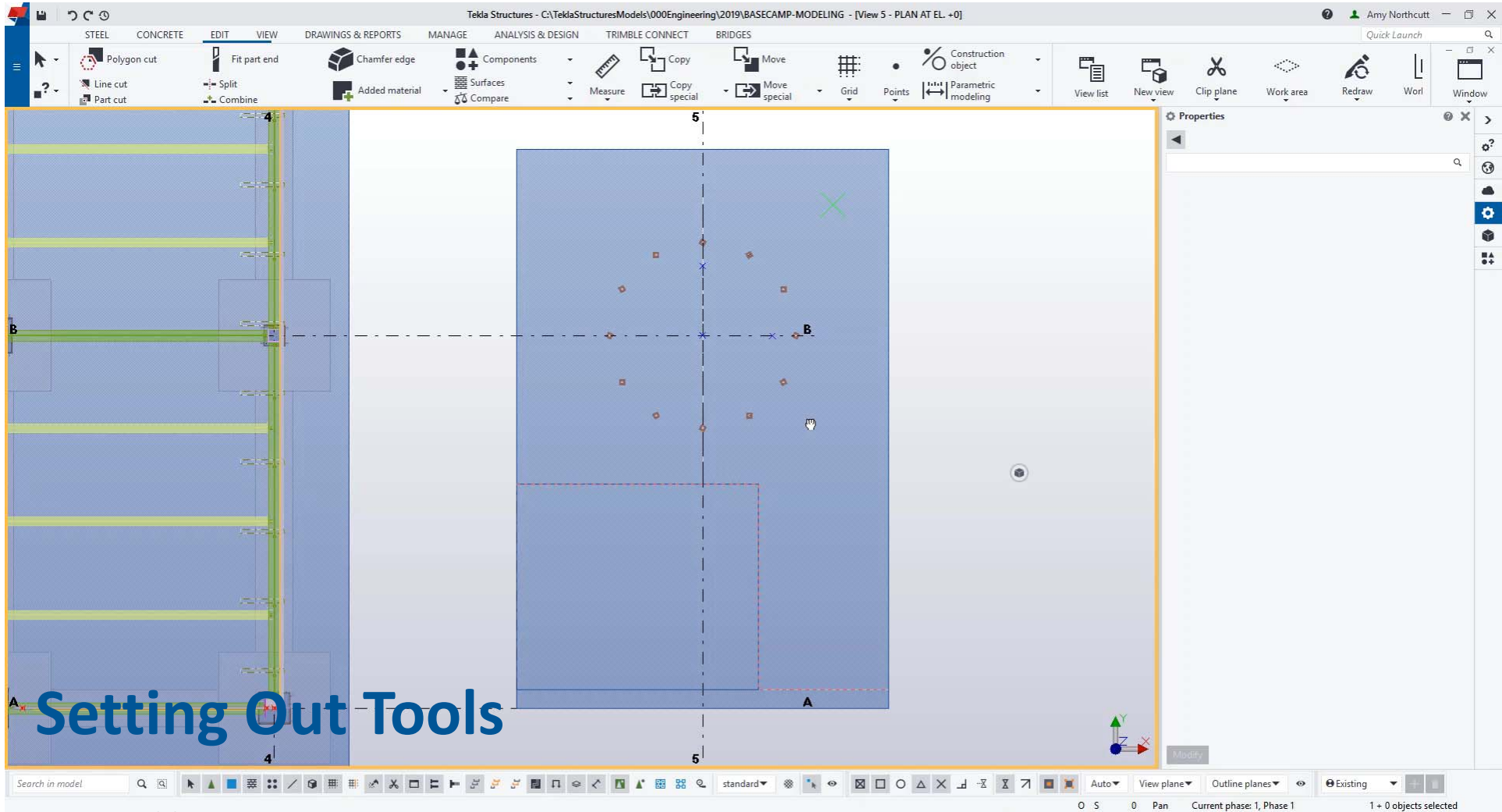


# Model Utility Updates





# Contextual Toolbar Improvements

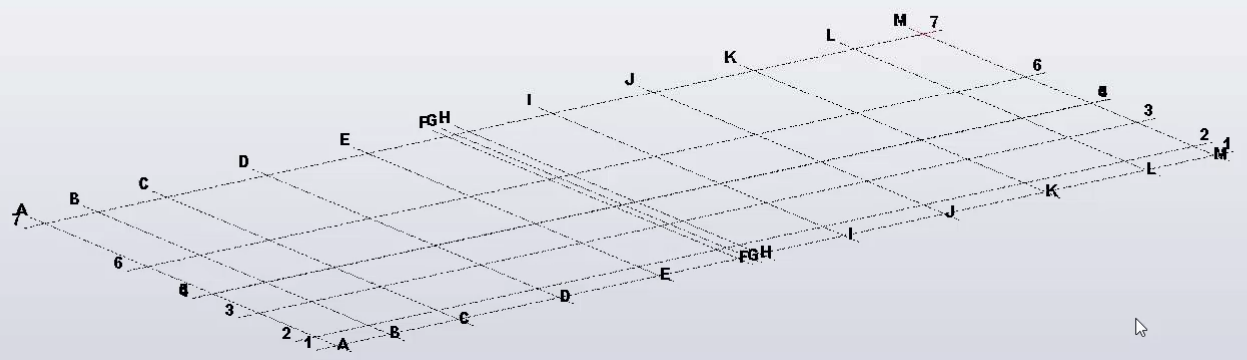


# Setting Out Tools

Tekla Structures - C:\TeklaStructuresModels\000Engineering\2019\BASECAMP-MODELING - [View 2 - +WCO 3D]

STEEL CONCRETE EDIT VIEW DRAWINGS & REPORTS MANAGE ANALYSIS & DESIGN TRIMBLE CONNECT BRIDGES

View list New view Clip plane Work area Redraw Work plane Rendering Switch to 3D or plane Fly View properties Representation Screenshot Document manager Drawing properties Create drawings Perform numbering Multidrawing Numbering settings Change number Reports Organizer Window



Point clouds

Attach  Show inside work area only

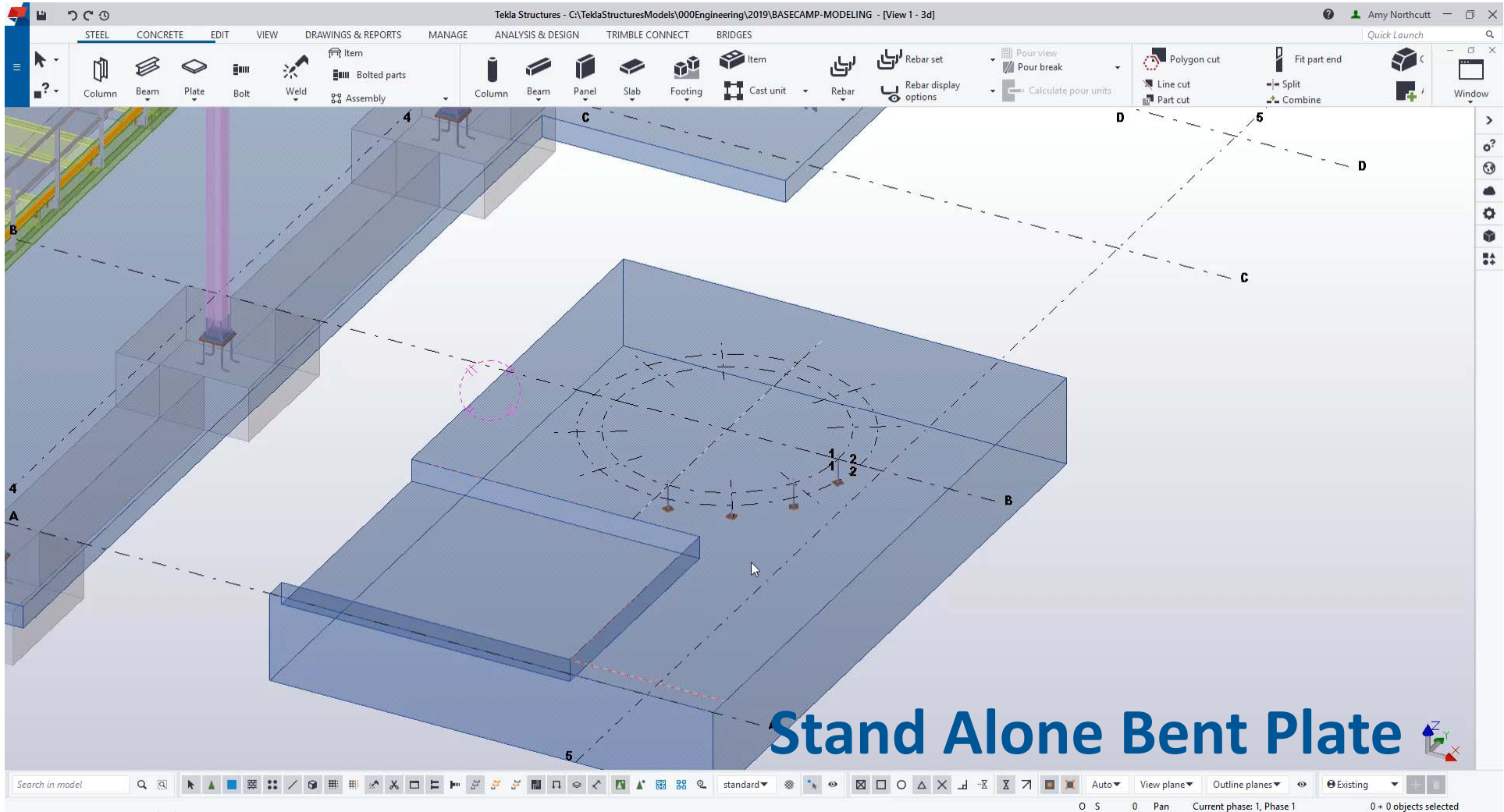
# Point Clouds

Search in model

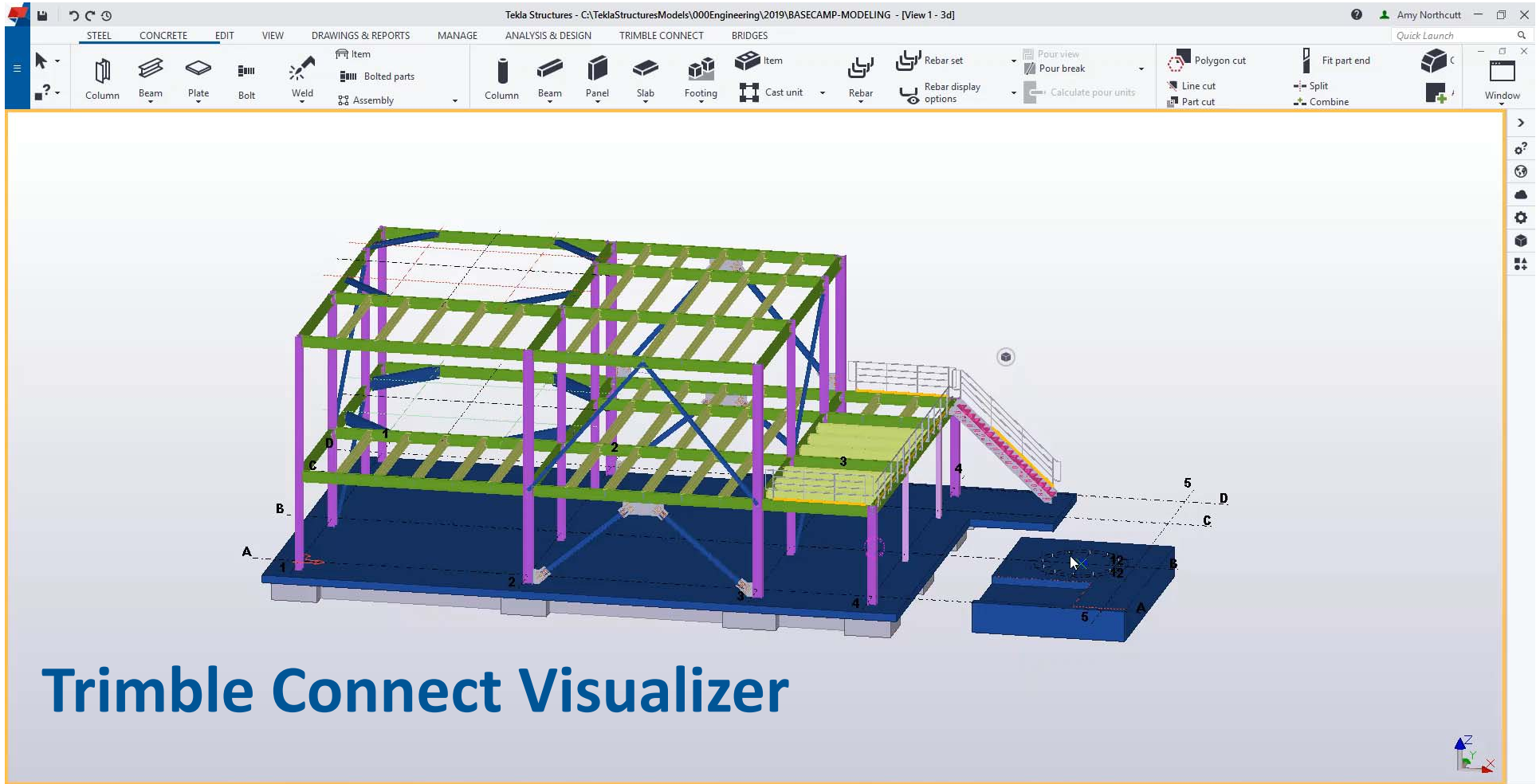
standard

Auto View plane Outline planes Model origin

0 S 0 Pan Current phase: 1, Phase 1 1 + 0 objects select



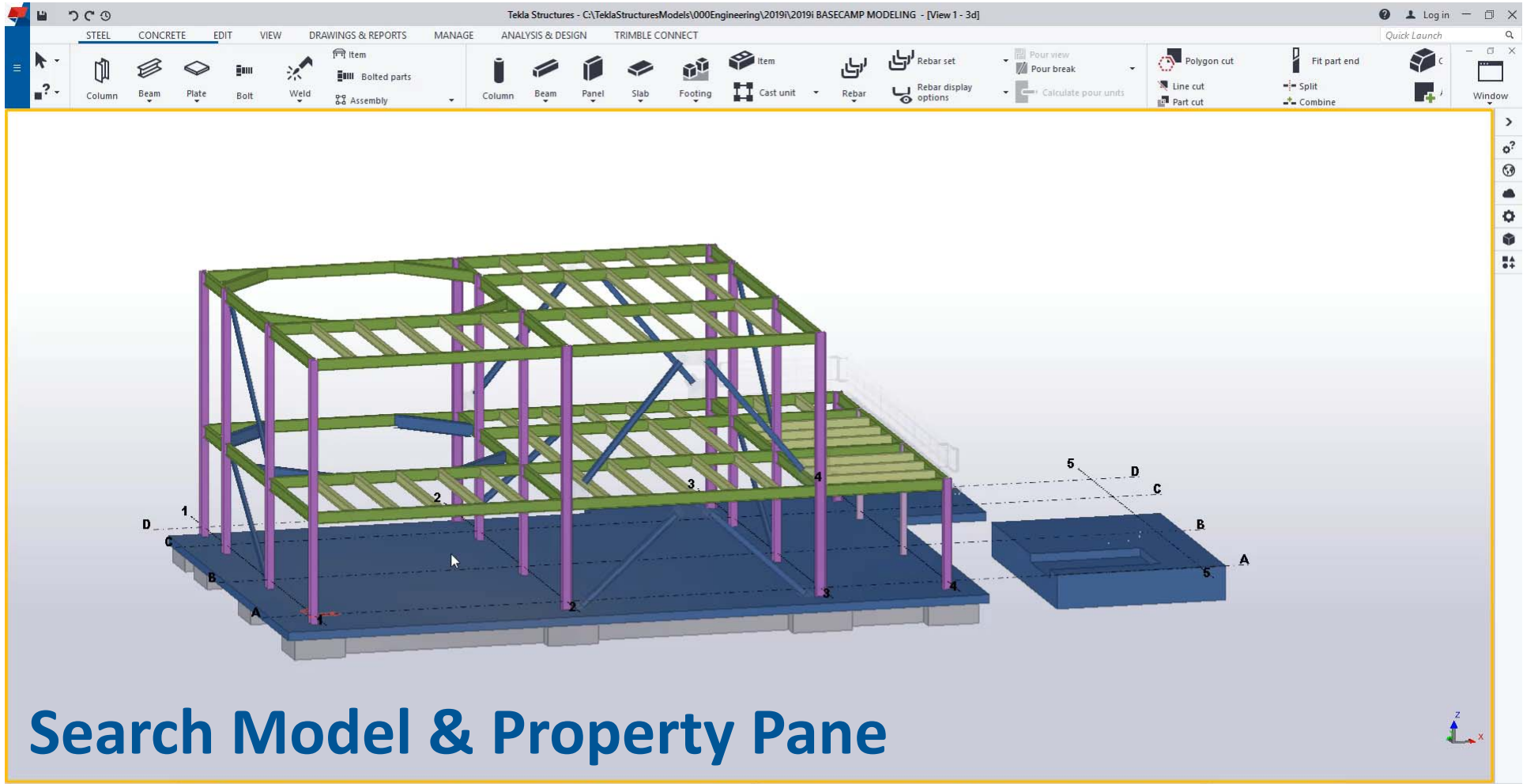
# Stand Alone Bent Plate



# Trimble Connect Visualizer

# 2019i Modeling & UI Updates





# Search Model & Property Pane



Tekla Structures - C:\TeklaStructuresModels\000Engineering\2019i\2019i BASECAMP MODELING - [View 1 - 3d]

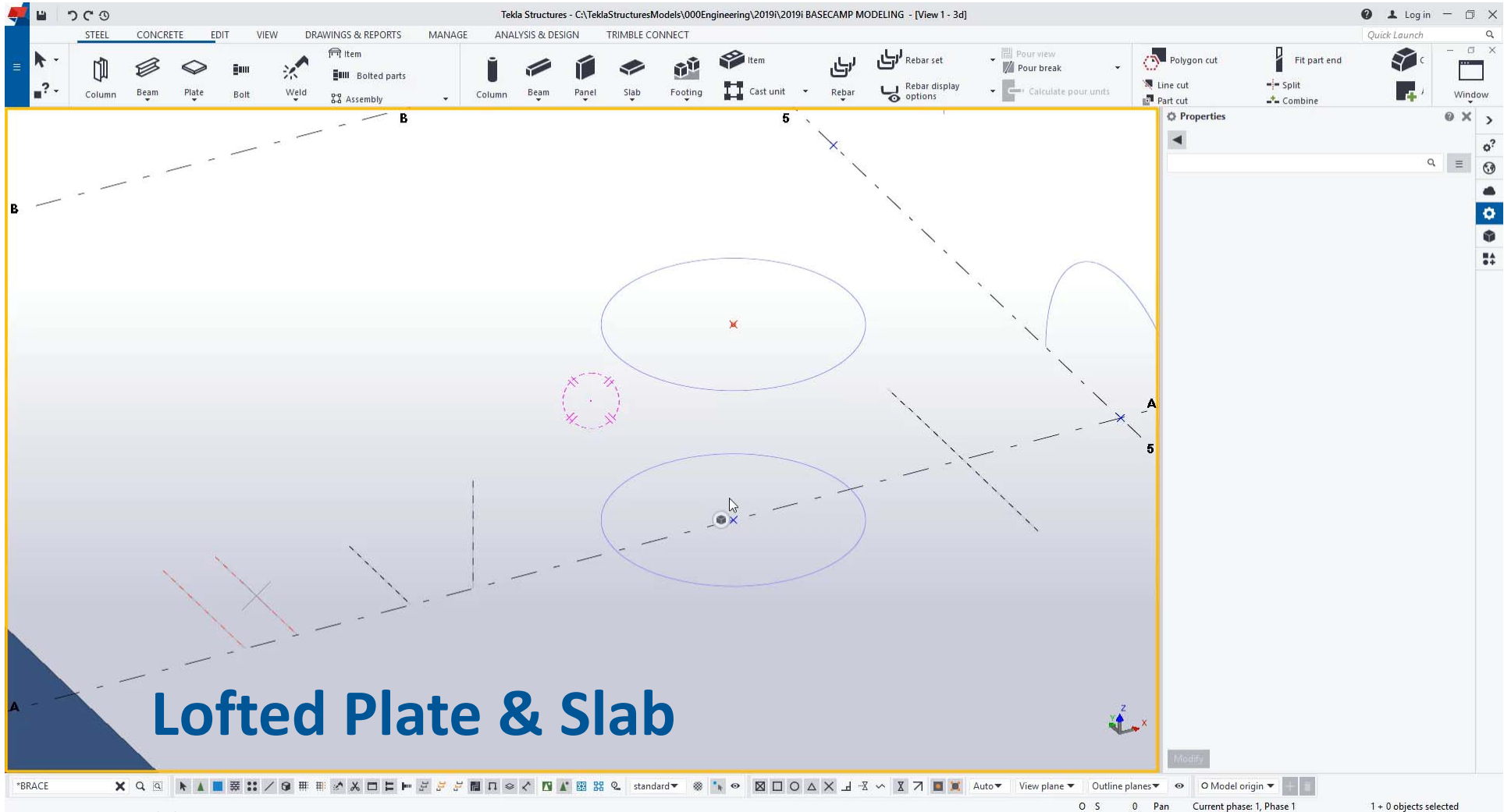
STEEL CONCRETE EDIT VIEW DRAWINGS & REPORTS MANAGE ANALYSIS & DESIGN TRIMBLE CONNECT

Column Beam Plate Bolt Weld Bolted parts Assembly Item Cast unit Rebar Rebar set Rebar display options Pour view Pour break Calculate pour units Polygon cut Line cut Part cut Fit part end Split Combine

A 3D perspective view of a concrete structure model. The model consists of several vertical columns and horizontal beams. The columns are colored purple, and the beams are colored blue. The structure is supported by a grey base. Dashed lines labeled 'A' and 'B' indicate specific points or lines in the model. The number '3' is visible near the top of a column, and the number '4' is visible near the base of a column. The background is a light blue gradient.

# 2019i Snapping Improvements

\*BRACE X Q [Navigation icons] standard [View icons] Auto View plane Outline planes Model origin O S 0 Pan Current phase: 1, Phase 1 1 + 0 objects selected



# Lofted Plate & Slab